

## Fuelling products

# Low pressure 4-inch swivels

## F628

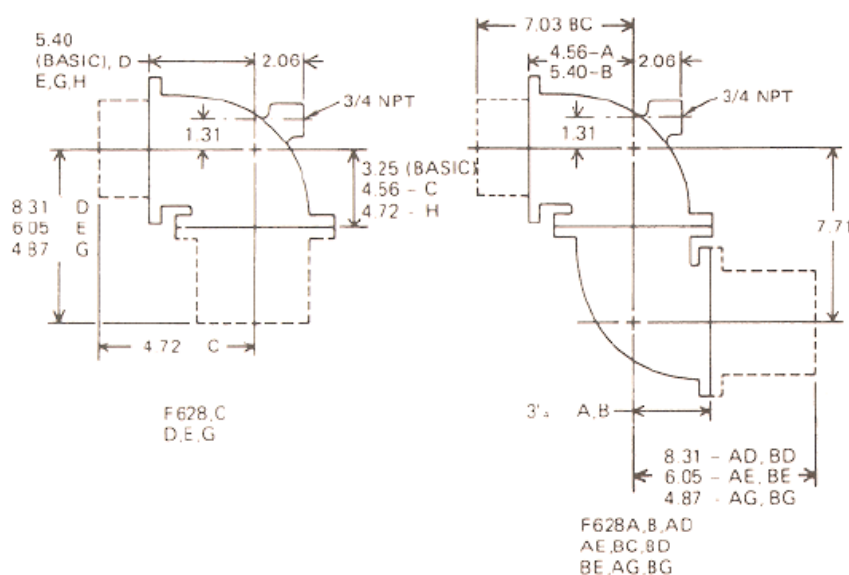
### Delivery hose swivels



F628

Meggitt has a line of delivery hose swivels that provide excellent swiveling characteristics and yet utilize no ball bearings. Seals and bearings used in the F628 swivels are easily replaced facilitating maintenance. Each Meggitt swivel has a main liquid seal, a Teflon bearing and a dust seal to prevent damage to the bearing and main seal from road dirt.

### F628 SWIVELS



### Key Features

- No ball bearings or races to wear due to road vibrations - Teflon bearings used
- Dust seal protects main seal and bearing from road dirt
- Seals and bearings easily replaced
- 90° and 180° swivels available
- Single and double swivels available
- Standard Meggitt seals recommended for all commercial automotive and aircraft fuels - Viton® seals available
- Lightweight aluminum construction
- 150 psi working pressure
- NU flanges standard
- 4-inch female NPT and hose shank ends optional
- 4.5-inch diameter flow path
- Suitable for loading arm applications

## Meggitt Control Systems

Our product competencies & services:  
Aerospace valves | Thermal management solutions | Environmental control systems | Electro-mechanical products  
Ground fuelling products | Energy products | Aftermarket services

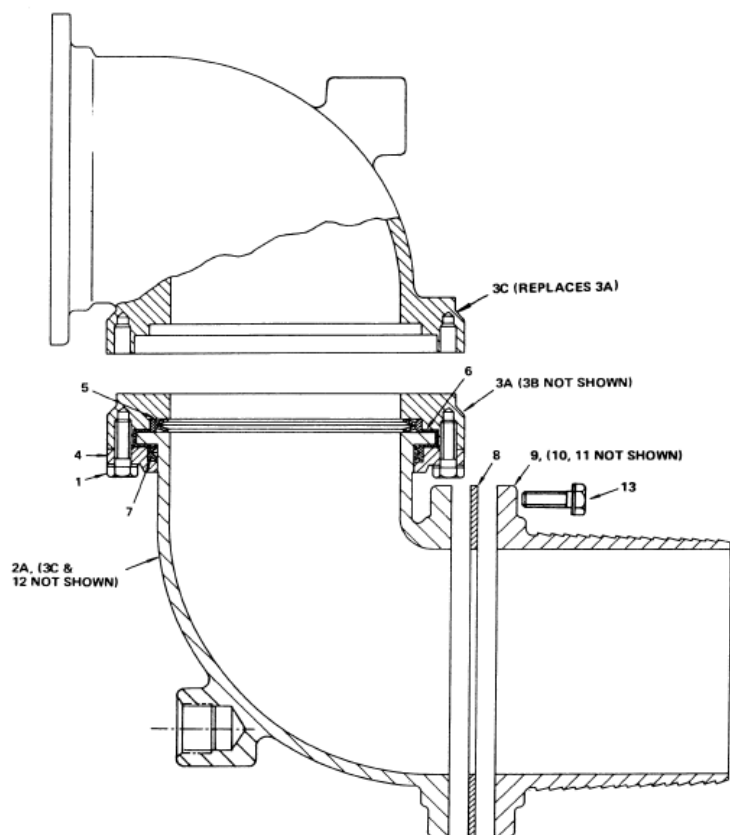
**MEGGITT**  
smart engineering for  
extreme environments

## Fuelling products

# Low pressure 4-inch swivels

## F628

### Key Dimensions



SYM	PART NO.	DESCRIPTION	F628	F628C	F628BC	F628D	F628E	F628G	F628A	F628B	F628H
1	2706000-518-12	BOLT	8	8	8	8	8	8	8	8	8
1A	2706000-518-14	BOLT	—	—	8	8	—	—	—	8	8
2A	2711670	ELBOW	1	—	—	1	1	1	1	1	—
3A	2711674	FLANGE	1	—	—	1	1	1	—	1	1
3B	2711650	COUPLING	—	1	1	—	—	—	—	—	1
3C	2711677-1	ELBOW	—	1	1	—	—	—	1	—	—
4	2711672-1	BEARING RING	1	1	2	1	1	1	1	2	2
5	2711673-1	SEAL	1	1	2	1	1	1	1	2	2
6	2711671	BEARING	1	1	2	1	1	1	1	2	2
7	2711675-1	SEAL, DUST	1	1	2	1	1	1	1	2	2
8	2711546	GASKET	—	—	—	1	1	1	—	—	—
9	2711585	FLANGE, 4" HOSE SHANK	—	—	—	1	—	—	—	—	—
10	4016SGA-2	ADAPTER, MALE CAM LOCK	—	—	—	—	1	—	—	—	—
11	2711586	FLANGE, 4" F.N.P.T.	—	—	—	—	—	1	—	—	—
12	2711677-2	ELBOW	—	—	—	—	8	—	—	1	1
13	2706000-616-14	BOLT	—	—	—	8	8	8	—	—	—

Notes: 1. Suffix "C" may be combined with "D", "E", & "G", as well as F628 (basic). Example F628CD or F628CE.  
2. For suffix "F" with F628 basic or any other of the above change item 5 to 2711673-2 & item 6 to 2711675-2.  
3. Suffix "D", "E" & "G" may be combined with F628A or F628B. Example F628AD or F628BE.

### Contact

#### Meggitt North Hollywood

12838 Saticoy Street  
North Hollywood  
California 91605-3505  
USA

Tel: (818) 765-8160  
Fax: (818) 759-2194

[www.meggitt.com](http://www.meggitt.com)

## Meggitt Control Systems

### Our product competencies & services:

Aerospace valves | Thermal management solutions | Environmental control systems | Electro-mechanical products  
Ground fuelling products | Energy products | Aftermarket services

**MEGGITT**  
smart engineering for  
extreme environments