

Fuelling products

Mobile equipment tank vents

F646 series vent valves

F646 Vent valves



F646

Meggitt F646 Series 5.25 inch vents are designed in accordance with DOT MC306 specifications and will mate with a standard 4-inch TTMA sump ring. The venting capacity is 304,000 cu. ft/hr at five PSI and the cracking pressure is three PSI. The F646 vent is available in air and mechanically operated configurations.

The F646 series vents superseded the 4052 series vents and will interchange with the existing weld ring. An interconnecting rod and other hardware will be necessary.

Prior to using the F646 series vents on over the road equipment that may have to meet MC407 specifications, please contact Meggitt for application information.

Vent valves should always be used with hoods to prevent water from entering the product area should the turn over rails be plugged.

Key Features

- Mechanical version furnished with 5-foot long interconnecting rod
- Rigid and flexible vapor recovery hoods available
- Mechanical version has poppet locking kit to keep the vent closed in case of overturn allowing the internal valve to be opened
- Standard seals are available for all commercial automotive and aviation fuels. Viton® seals are available for special applications
- Free of iron and brass - can be used with liquid fertilizers (see modifications)
- Fire screen optional
- Double seal actuating piston vented externally on air operated version
- Molded and bonded poppet seal - assures leak free operation and minimum maintenance costs

Meggitt Control Systems

Our product competencies & services:
Aerospace valves | Thermal management solutions | Environmental control systems | Electro-mechanical products
Ground fuelling products | Energy products | Aftermarket services

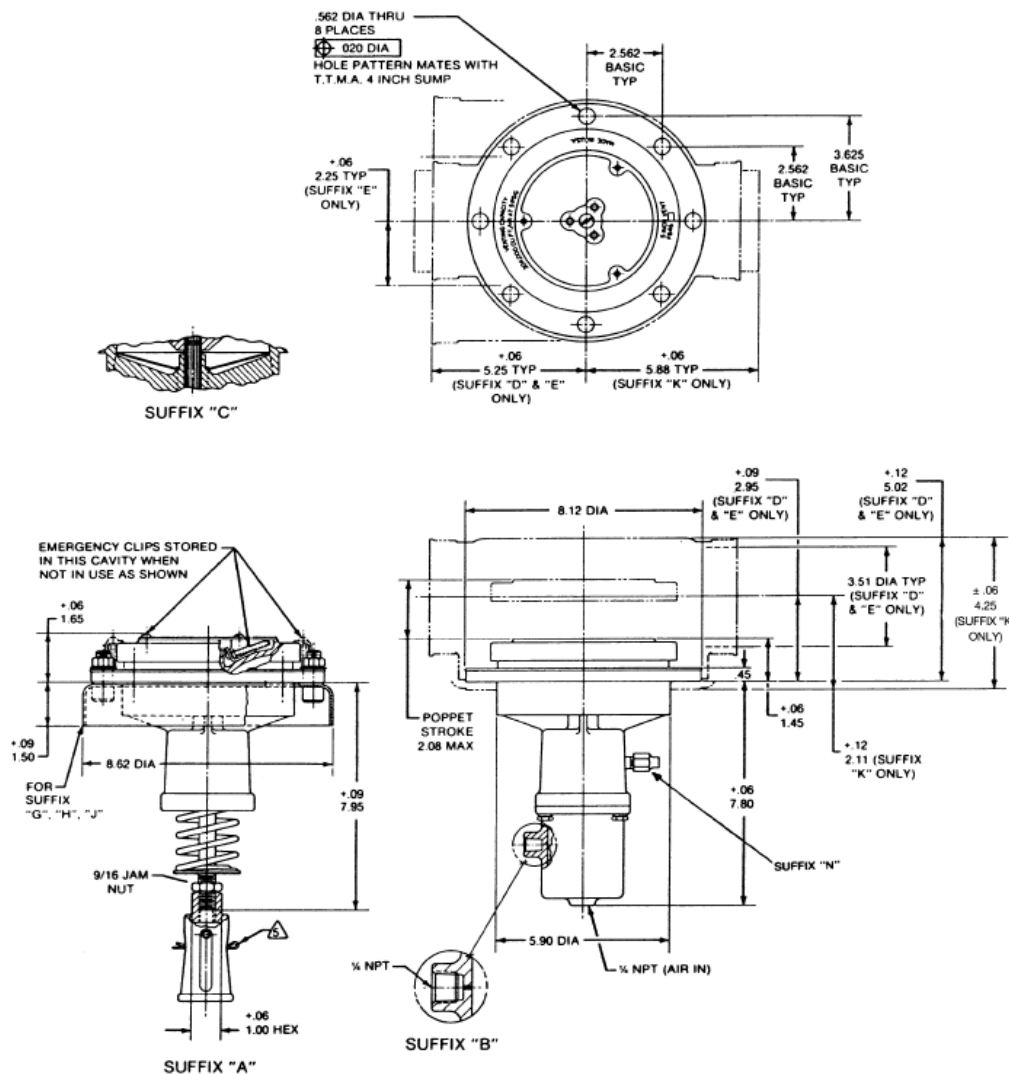
MEGGITT
smart engineering for
extreme environments

Fuelling products

Mobile equipment tank vents

F646 series vent valves

Key Dimensions



Contact

Meggitt North Hollywood

12838 Saticoy Street
North Hollywood
California 91605-3505
USA

Tel: (818) 765-8160

Fax: (818) 759-2194

www.meggitt.com

Meggitt Control Systems

Our product competencies & services:
Aerospace valves | Thermal management solutions | Environmental control systems | Electro-mechanical products
Ground fuelling products | Energy products | Aftermarket services

MEGGITT
smart engineering for
extreme environments