

Fuelling products

Couplers

CCMY8500M2 series 4-inch A.P.I. coupler

CCMY8500M2 series
four-inch A.P.I. coupler



Key Features

- Rugged construction and robust design for long life
- Low weight
- Low pressure drop
- Adjustable smooth opening and closing characteristics
- High stability

The CCMY8500M2 Series 4-inch A.P.I. Coupler has been designed to comply with all the operational and test requirements of the A.P.I. Standard Specification (A.P.I. 1584) for Four-inch Hydrant system components and arrangements.

Meggitt Control Systems

Our product competencies & services:
Aerospace valves | Thermal management solutions | Environmental control systems | Electro-mechanical products
Ground fuelling products | Energy products | Aftermarket services

MEGGITT
smart engineering for
extreme environments

Fuelling products

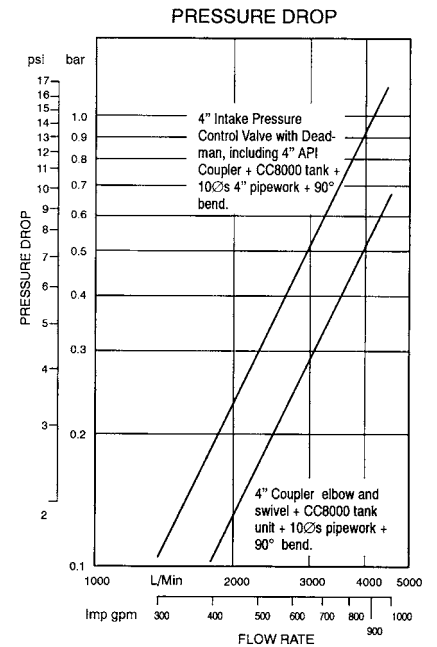
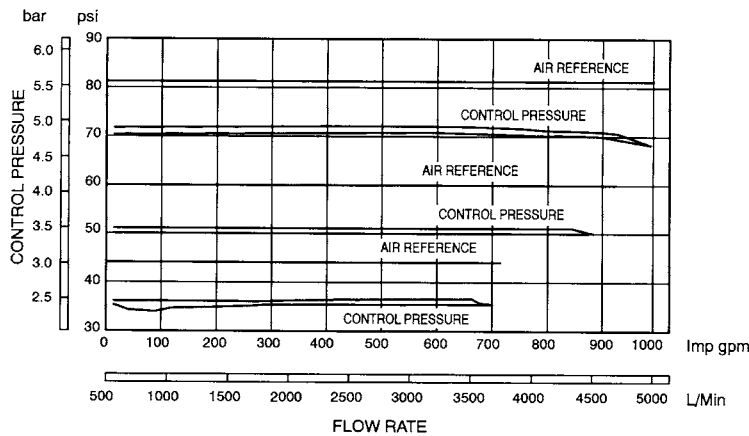
Couplers

CCMY8500M2 series 4-inch A.P.I. coupler

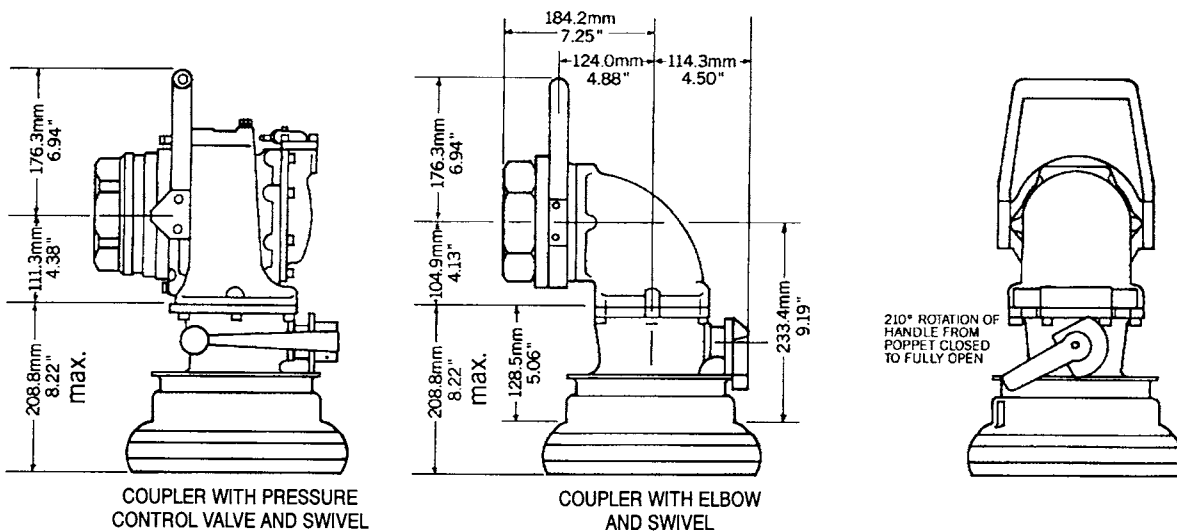
Operation

The CCMY8500M2 Series 4-inch A.P.I. Coupler has been designed to comply with all the operational and test requirements of the A.P.I. Standard Specification (A.P.I. 1584) for 4-inch Hydrant system components and arrangements.

Operating Pressure Control



Dimensions



Meggitt Control Systems

Our product competencies & services:
Aerospace valves | Thermal management solutions | Environmental control systems | Electro-mechanical products
Ground fuelling products | Energy products | Aftermarket services

MEGGITT
smart engineering for
extreme environments

Fuelling products

Couplers

CCMY8500M2 series 4-inch A.P.I. coupler

General Information

COUPLER

POLYURETHANE BUMPER

Resists abrasion.

LOCKING AND INTERLOCKING

Positive connection between Pit Valve and Coupler by means of 10 catches. The poppet valve is prevented from opening when the Coupler is disconnected. The Coupler cannot be disconnected when the poppet valve is open.

EASY SERVICING

The Coupler may be completely dismantled and serviced from the A.P.I. end thus avoiding the need for removal from the pressure controller. The nose seal may be renewed while the unit is under system pressure.

ALTERNATIVE OPERATING HANDLES

A choice of short or wrap-round handle.

ASSOCIATED EQUIPMENT

Pressure control valve with deadman or 90 deg. elbow.

Construction throughout is mainly of high strength aluminium alloy and stainless steel. All wetted parts are of anodised aluminium and stainless steel incorporating fuel resistant seals. All other components are protected against corrosion.

SMOOTH OPENING AND CLOSING

Approximately ten seconds to 'full flow'. Approximately five seconds to 'no flow'. Precise ramped closure prevents vacuum within coupler hose.

PRESSURE CONTROL

+ 2 psi

LOW BIAS Typically

10-12 psi

LOW HYSTERESIS

For details, see graphs.
Rapid response to surge pressures.

FAIL / SAFE

Valve will close even if controlling diaphragm ruptures.

Meggitt Control Systems

Our product competencies & services:
Aerospace valves | Thermal management solutions | Environmental control systems | Electro-mechanical products
Ground fuelling products | Energy products | Aftermarket services

MEGGITT
smart engineering for
extreme environments

Fuelling products

Couplers

CCMY8500M2 series 4-inch A.P.I. coupler

Specification

WEIGHT, PRESSURE DROP, PRESSURE RATING		COUPLER	COUPLER, Pressure Control Valve with Deadman & Swivel	COUPLER Elbow & Swivel
WEIGHT		5.7 Kg 12.5 lbs	13 Kg 28lb	9.1 Kg 20 lb
PRESSURE DROP		-	less than 1.16 bar at 4500 l/min less than 17 psi at 1000 lmp gpm (1200 US gpm)	less than 0.65 bar at 4500 l/min less than 9.5 psi at 1000 lmp gpm (1200 US gpm)
PRESSURE RATING	MAX. WORKING	-	15 bar 225 psi	15 bar 225 psi
	TEST PRESSURE	-	23 bar 338 psi	23 bar 338 psi
	PROOF PRESSURE COUPLED	-	76 bar 1100 psi	68 bar 1000 psi

Ordering Information

CONFIGURATIONS	CODE NO.
COUPLER with short handle	CCMY8500M2
COUPLER with wrap-around handle	CCMY8501M2
with Pressure Control Valve / Deadman	add suffix R2
with Elbow	add suffix E
with Trolley	add suffix T
Thread forms	add suffix B for BSP or N for NPT
Selectivity 1-6	add suffix S1-S6

Example : CCMY8501M2R2BS1 (coupler with wrap round handle, pressure control with deadman, BSP thread and selective position 1.)

The Meggitt fluid management equipment is developed as a private venture and the policy of the company is one of continuing improvement; therefore the right to change prices, specification and equipment at any time without notice is reserved.

Contact

Meggitt North Hollywood

12838 Saticoy Street
North Hollywood
California 91605-3505
USA

Tel: (818) 765-8160
Fax: (818) 759-2194

www.meggitt.com

Meggitt Control Systems

Our product competencies & services:
Aerospace valves | Thermal management solutions | Environmental control systems | Electro-mechanical products
Ground fuelling products | Energy products | Aftermarket services

MEGGITT
smart engineering for
extreme environments