

Fuelling products

# Couplers

## CCMY8500M3 series four-inch A.P.I. coupler

CCMY8500M3 series  
Four-inch A.P.I. coupler



### Key features

- Rugged construction and robust design for long life
- Low weight
- Low pressure drop
- Adjustable smooth opening and closing characteristics
- High stability
- Qualified for E1 1584 3<sup>rd</sup> edition requirements

The CCMY8500M3 Series Four-inch A.P.I. Coupler has been designed to comply with all the operational and test requirements of the EI Standard Specification (EI 1584) for Four-inch Hydrant system components and arrangements.

## Meggitt Control Systems

**Our product competencies & services:**

Aerospace valves | Thermal management solutions | Environmental control systems | Electro-mechanical products

Ground fuelling products | Energy products | Aftermarket services

**MEGGITT**  
smart engineering for  
extreme environments

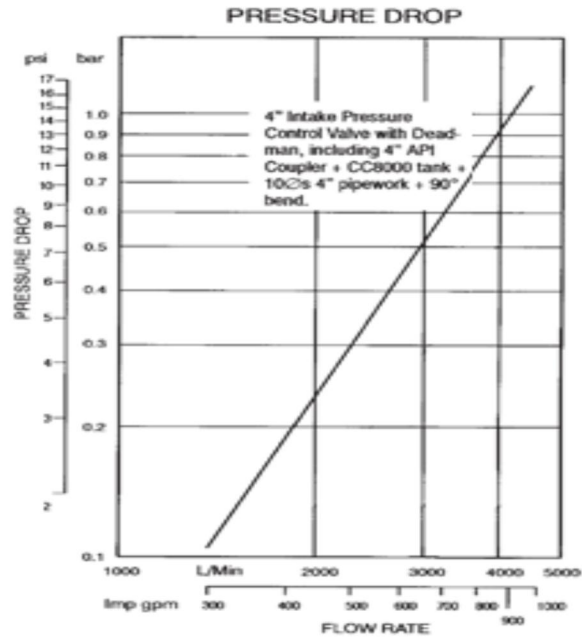
Fuelling products

# Couplers

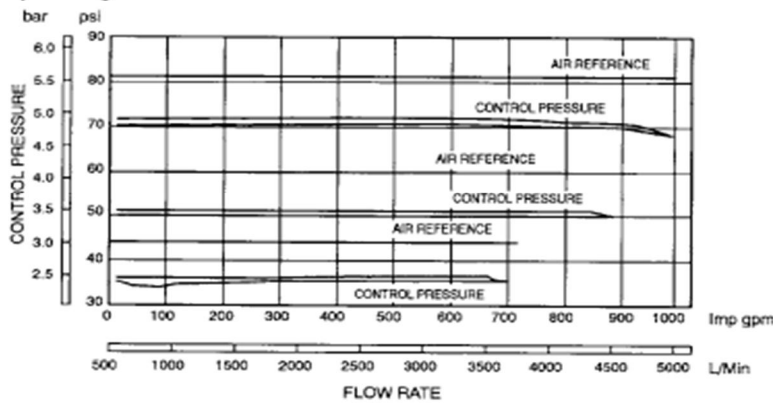
## CCMY8500M3 series four-inch A.P.I. coupler

### Operation

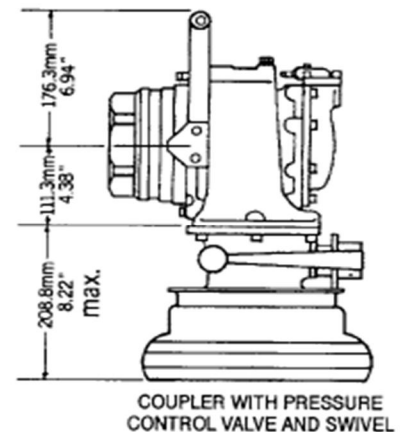
Four-inch Pressure Control Valve with deadman. This valve has been designed for use with aviation kerosenes and gasoline on refuelling vehicles. It regulates downstream pressure regardless of input pressure or flow rate and incorporates a deadman facility. The valve is air referenced and has a typical bias of 10-12 psi at full flow, (1000 gpm-1200 US gpm). The total pressure drop through the valves approximately 14psi at 1000 Imp gpm (1200 US GPM). A pressure relief valve between coupler and pressure control valve automatically breaks the hydraulic lock on closure of the coupler.



### Operating Pressure Control



### Dimensions



## Meggitt Control Systems

Our product competencies & services:

Aerospace valves | Thermal management solutions | Environmental control systems | Electro-mechanical products

Ground fuelling products | Energy products | Aftermarket services

**MEGGITT**  
smart engineering for  
extreme environments



## Fuelling products

# Couplers

## CCMY8500M3 series four-inch A.P.I. coupler

---

### General Information

#### COUPLER

#### POLYURETHANE BUMPER

Resists abrasion.

#### LOCKING AND INTERLOCKING

Positive connection between Pit Valve and Coupler by means of 6 catches. The poppet valve is prevented from opening when the Coupler is disconnected. The Coupler cannot be disconnected when the poppet valve is open.

#### EASY SERVICING

The Coupler may be completely dismantled and serviced from the A.P.I. end thus avoiding the need for removal from the pressure controller. The nose seal may be renewed while the unit is under system pressure.

#### ASSOCIATED EQUIPMENT

Pressure control valve with deadman.

Construction throughout is mainly of high strength aluminium alloy and stainless steel. All wetted parts are of aluminium and stainless steel incorporating fuel resistant seals. All other components are protected against corrosion.

#### SMOOTH OPENING AND CLOSING

Approximately ten seconds to full flowq Approximately five seconds to no flowq Precise ramped closure prevents vacuum within coupler hose.

#### PRESSURE CONTROL

+ 2 psi

#### LOW BIAS Typically

10-12 psi

#### LOW HYSTERESIS

For details, see graphs.  
Rapid response to surge pressures.

#### FAIL / SAFE

Valve will close even if controlling diaphragm ruptures.

## Meggitt Control Systems

### Our product competencies & services:

Aerospace valves | Thermal management solutions | Environmental control systems | Electro-mechanical products

Ground fuelling products | Energy products | Aftermarket services

Fuelling products

# Couplers

## CCMY8500M3 series four-inch A.P.I. coupler

### Specification

<b>WEIGHT, PRESSURE DROP PRESSURE RATING</b>		<b>COUPLER</b>	<b>COUPLER Pressure Control Valve with Deadman &amp; Swivel</b>
<b>WEIGHT</b>		5.7Kg 12.5lbs	13 Kg 28lb
<b>PRESSURE DROP</b>		-	less than 1.6 bar at 4500 l/min  less than 17 psi at 1000lmp gpm (1200 US gpm)
<b>PRESSURE DROP</b>	<b>MAX. WORKING</b>	-	15 bar 225 psi
	<b>TEST PRESSURE</b>	-	23 bar 338 psi
	<b>PROOF PRESSURE COUPLED</b>	-	76 bar 1100psi

### Ordering Information

CONFIGURATIONS	CODE NO.
COUPLER with short handle	CCMY8500M3
with Pressure Control Valve / Deadman	add suffix R2
with Trolley	add suffix T
Thread forms	add suffix B for BSP or N for NPT

The Meggitt fluid management equipment is developed as a private venture and the policy of the company is one of continuing improvement; therefore the right to change prices, specification and equipment at any time without notice is reserved.

### Contact

**Meggitt Control Systems**  
12838 Saticoy St  
North Hollywood  
California 91605-3505  
USA

Telephone: (818) 765-8160  
FAX: (818) 759-2194

[www.meggitt.com](http://www.meggitt.com)

## Meggitt Control Systems

Our product competencies & services:

Aerospace valves | Thermal management solutions | Environmental control systems | Electro-mechanical products

Ground fuelling products | Energy products | Aftermarket services

**MEGGITT**  
smart engineering for  
extreme environments



## Fuelling products

## Meggitt Control Systems

Our product competencies & services:

Aerospace valves | Thermal management solutions | Environmental control systems | Electro-mechanical products

Ground fuelling products | Energy products | Aftermarket services