

## Fuelling products

# Control valves

PVMY 440-1 pneumatically actuated pilot valve  
(With secondary lanyard enclosure)

PVMY 440-1 pneumatically actuated pilot valve



## Key Features

- Equips pit valves with pneumatic deadman
- Dual closure - deadman or independent lanyard
- Auto closure if air line ruptured
- Available for PV1000/M2, PV2000
- Easy Retrofit to existing valves
- Prevents 'hot hydrants'
- Vehicles easily converted - minimal air usage
- Tell-tale reset button indicates lanyard activated

## General

The pneumatic valve is available as standard on new PV1000/M2/PV1100 and PV2000 pit valves or as a simple retrofit to existing systems.

For retrofit simply replace existing latch block and lanyard assembly with the pneumatic block, this can easily be carried out in situ.

The system utilises vehicle air reference pressure by installation of a 'T' adaptor in the line. Thus extending the deadman facility to close both pit valve and intake controller. In addition an independent lanyard releases a shuttle valve which isolates the vehicle air supply to the pit valve whilst exhausting the air within the pilot valve. In the event of airline rupture or separation which may occur in the event of a vehicle colliding with the coupler, the valve will automatically close. Similarly, when the coupler is disconnected the pilot valve is automatically closed preventing a valve being left in the OPEN condition.

## Meggitt Control Systems

**Our product competencies & services:**  
Aerospace valves | Thermal management solutions | Environmental control systems | Electro-mechanical products  
Ground fuelling products | Energy products | Aftermarket services

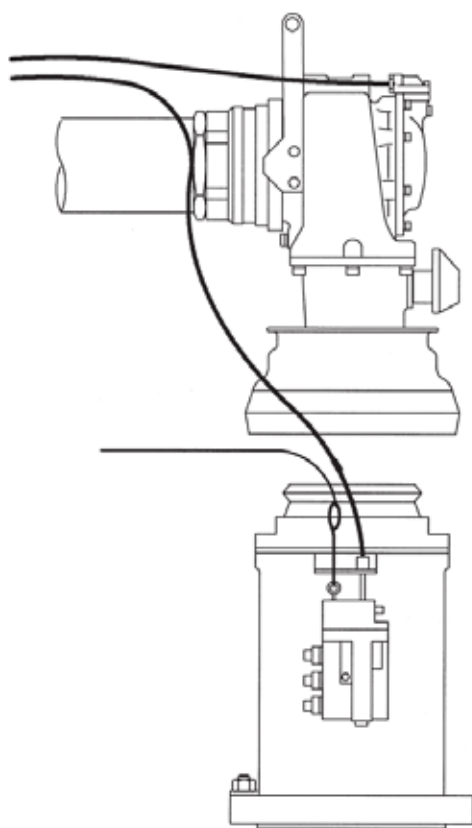
**MEGGITT**  
smart engineering for  
extreme environments

## Fuelling products

# Control valves

PVMY 440-1 pneumatically actuated pilot valve  
(With secondary lanyard enclosure)

### Specifications



#### STANDARDS:

Exceeds all the requirements of API specification 1584

#### MATERIALS:

Aluminium alloy, stainless steel, PTFE fluorocarbon

#### PRESSURE:

Operating air pressure:  
Min 3.4 bar (50 psi)  
Max 13.6 bar (200 psi)

#### TEMPERATURE:

Min 05C Max 135C

NOTE: Minimum temperature may be lowered by the use of dried or alcohol enriched air. For further information contact MEGGITT

#### OPENING/CLOSING TIMES

The introduction of this variant has no effect on the operating characteristics of the pit valves.

#### OPENING TIMES

From 0 to 90% of full flow  
5-10 seconds

#### CLOSING TIMES

2 to 5 seconds, overshoot at  
1000 Imp gpm (1200 USgpm)  
40 Imp gallons maximum.

### Ordering information

For new Pit Valve add suffix 'A' to the part number. For retrofit to PV2000 series valves order Part No. PVMY440-1.

### Contact

#### Meggitt North Hollywood

12838 Saticoy Street  
North Hollywood  
California 91605-3505  
USA

Tel: (818) 765-8160

Fax: (818) 759-2194

[www.meggitt.com](http://www.meggitt.com)

## Meggitt Control Systems

#### Our product competencies & services:

Aerospace valves | Thermal management solutions | Environmental control systems | Electro-mechanical products  
Ground fuelling products | Energy products | Aftermarket services

**MEGGITT**  
smart engineering for  
extreme environments