

## Fuelling products

# Control valves

## UVMY1000 series under hydrant shut-off valve

### UVMY1000 under hydrant shut-off valve



### Key Features

- ATEX and PED certified
- Choice of carbon or stainless steel bodies
- All valve components are manufactured in stainless steel
- Fire safe to API 6FA
- Available in three body lengths and four flange configurations
- Compact design minimum face to face dimension of only 124.50 mm
- Operates as Emergency Shut-off Valve

The Meggitt Under Hydrant Valve is one of the most essential parts of a Hydrant System.

Should the isolation feature in a hydrant valve become in-operative, a servicing valve offers immediate local shutdown. This allows for removal or repair of the hydrant and alleviates the need to shut down the hydrant system either fully or partially.

In addition, the valve provides instant automatic shut down in the event of fire. This emergency closure feature is triggered by a 93c = 199.4f fusible link.

## Meggitt Control Systems

**Our product competencies & services:**  
Aerospace valves | Thermal management solutions | Environmental control systems | Electro-mechanical products  
Ground fuelling products | Energy products | Aftermarket services

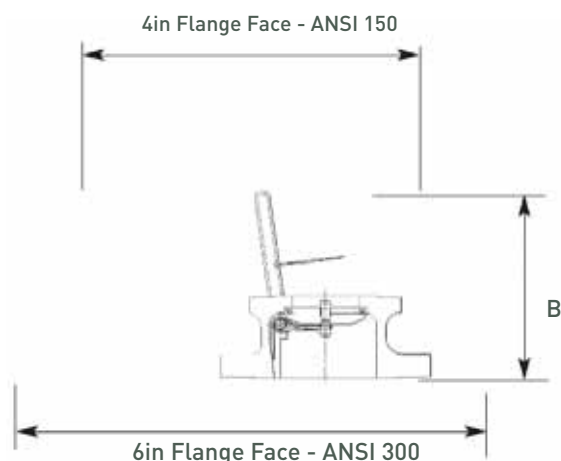
**MEGGITT**  
smart engineering for  
extreme environments

## Fuelling products

# Control valves

## UVMY1000 series under hydrant shut-off valve

### Specification & Dimensions



Maximum working pressure:	- 275 psi
Test pressure:	- 540 psi
Maximum working temperature:	- 70c = 158f
Minimum working temperature:	
Carbon steel	- 29c = 84.2f
Stainless steel	- 40c = 104f
Gross weight:	- 28kg

The units are available in two standard configurations:

UVMY1013C - Carbon Steel Body  
UVMY1013S - Stainless Steel Body

Other "special builds" are available and can be ordered by referring to the table below:

NUMBER	4" FLANGE FACE	6" FLANGE FACE
1	RF	RF
2	RF	RF
3	RF	RF
4	RF	RF

NUMBER	LENGTH (R)
1	124.50
2	129.70
3	132.40

C: BODY MATERIAL (CARBON STEEL)

S: BODY MATERIAL (STAINLESS STEEL)

LOW TEMPERATURE SEALS (UJHL10012)

UVMY10 1 1 C/S Z

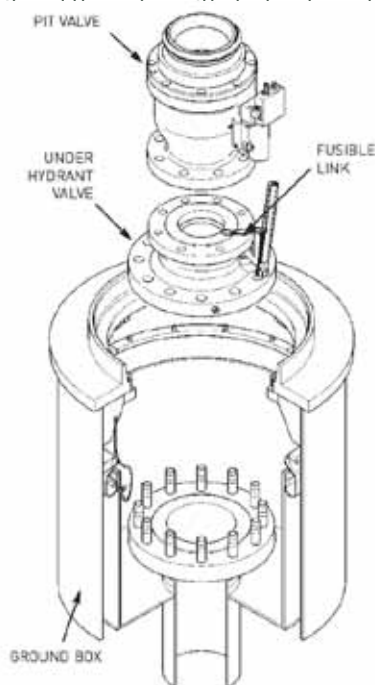
### Operation

When fitted is operated by rotating the handle, thus opening the flap valve against a bespoke internal torsion spring. The design incorporates an automatic pressure equalisation feature, allowing the valve to be opened easily even when the hydrant is pressurised.

The valve is held open using a chain and fusible link arrangement.

To close the valve, the chain is simply uncoupled and the handle rotated until the flap meets its seat.

In the event of fire, the fusible link will



Further Technical Information INCLUDING FULL SPARE PARTS LISTING may be obtained from our Technical Publications Department

### Contact

#### Meggitt North Hollywood

12838 Saticoy Street  
North Hollywood  
California 91605-3505  
USA

Tel: (818) 765-8160  
Fax: (818) 759-2194

[www.meggitt.com](http://www.meggitt.com)

## Meggitt Control Systems

Our product competencies & services:  
Aerospace valves | Thermal management solutions | Environmental control systems | Electro-mechanical products  
Ground fuelling products | Energy products | Aftermarket services

**MEGGITT**  
smart engineering for  
extreme environments