

Fuelling products

Couplings

3-inch self sealing industrial couplings

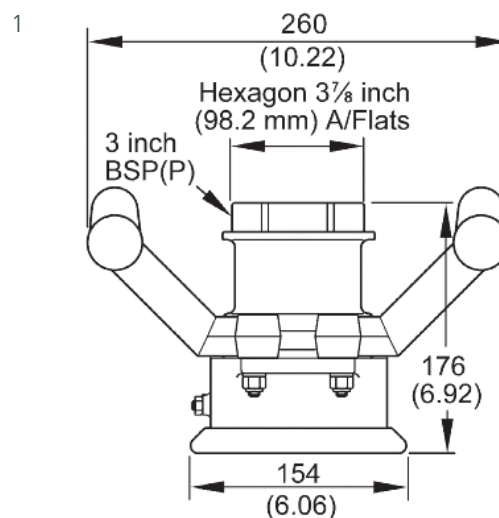
Specification

1 - HOSE UNIT

CCMY 6353N*

Materials
Weight
Max. Working Pressure
Max. Coupling Pressure
Test Pressure

Gunmetal, St/Steel
6.5 kg (14.5 lb)
175 psi (12 bar)
60 psi (4 bar)
265 psi (18 bar)

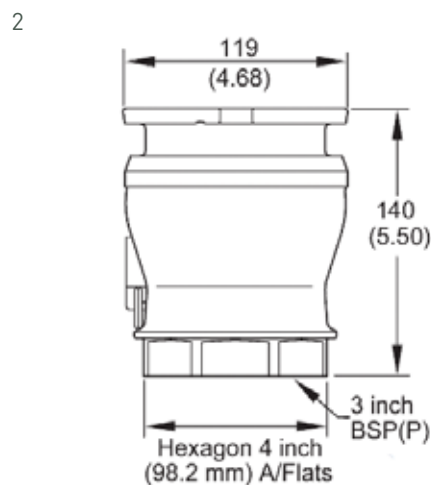


2 - TANK UNIT THREADED VERSION

CCMY 6351N*

Materials
Weight
Max. Working Pressure
Test Pressure

Gunmetal, St/Steel,
structural plastic
3.15 kg (6.9lb)
175 psi (12 bar)
265 psi (18 bar)



Meggitt Control Systems

Our product competencies & services:
Aerospace valves | Thermal management solutions | Environmental control systems | Electro-mechanical products
Ground fuelling products | Energy products | Aftermarket services

MEGGITT
smart engineering for
extreme environments