

Fuelling products

# Couplings

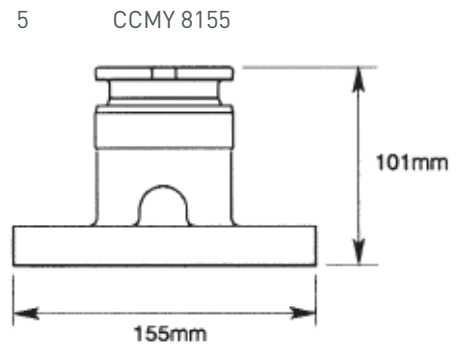
## 1 1/2 and 2-inch stainless steel self sealing coupling

### Specification

#### 5 - TANK UNIT CCMY 8155 FLANGED VERSION

Material	316 stainless steel
Weight	3.59 kg
Max. working pressure	300 psi
Max. coupling pressure	60 psi

Flanged tank units can be drilled to customer requirements on request



#### 6 - DUST CAP FOR HOSE UNIT CCMY 324

Material	Synthetic rubber
----------	------------------



#### 7 - DUST CAP FOR TANK UNIT CCMY 4

Material	Gunmetal
----------	----------



### Meggitt Control Systems

**Our product competencies & services:**  
 Aerospace valves | Thermal management solutions | Environmental control systems | Electro-mechanical products  
 Ground fuelling products | Energy products | Aftermarket services

## Fuelling products

# Coupling

1 1/2 and 2-inch stainless steel self sealing coupling

## Specification

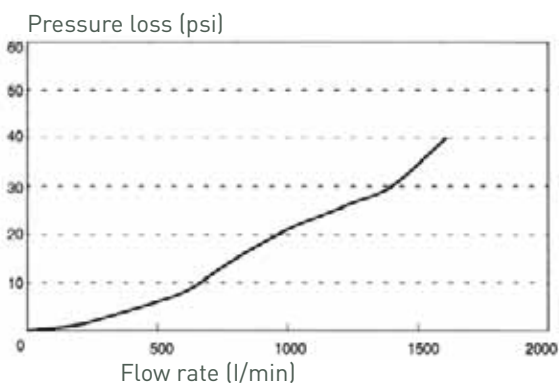
### Seals

Hose and tank units are available with a choice of seals:

Seal Material	Pt. No. suffix
Viton	V
Nitrile	N
Chemraz	C
E.P.	E

## PRESSURE DROP

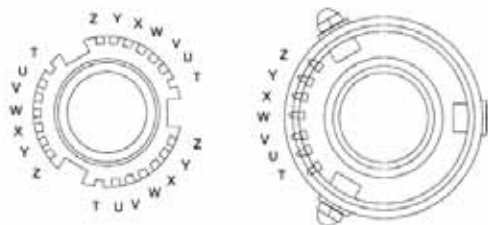
Meggitt cam-operated couplings have exceptional low pressure loss characteristics



## SELECTIVITY

Each unit has seven possible selective positions designated alphabetically from -ST to -SZ

Selective Position Letter	T	U	V	W	X	Y	Z
Pin & Slot Position	as shown						



## Contact

### Meggitt North Hollywood

12838 Saticoy Street  
North Hollywood  
California 91605-3505  
USA

Tel: (818) 765-8160  
Fax: (818) 759-2194  
www.meggitt.com

## Meggitt Control Systems

**Our product competencies & services:**  
Aerospace valves | Thermal management solutions | Environmental control systems | Electro-mechanical products  
**Ground fuelling products** | Energy products | Aftermarket services

**MEGGITT**  
smart engineering for  
extreme environments