

Fuelling products

Control valves

Environmental pit box GBMY 5050M2 series

Environmental pit box GBMY 5050M2 series



Key Features

- Positive sealing for protection of the environment
- Rugged steel construction for long service life
- Large positively sealed catchment area
- Absorbs large vertical and horizontal ground movement

Additional Features

- Design easily customised for specific applications
- Accepts all valves meeting IP & API recommendations
- High level seal for ease of maintenance
- Lightweight aluminium lid with locking facility

Meggitt Control Systems

Our product competencies & services:
Aerospace valves | Thermal management solutions | Environmental control systems | Electro-mechanical products
Ground fuelling products | Energy products | Aftermarket services

MEGGITT
smart engineering for
extreme environments

Fuelling products

Control valves

Environmental pit box GMBY 5050M2 series

Specification

Introduction

With protection of the environment in mind and with the co-operation of one of the major international oil companies, Meggitt have developed a truly environmentally friendly hydrant pit box.

Designed specifically to prevent any fuel spillage in the pit from escaping and contaminating the surrounding area, the two piece construction of the pit provides a large welded inner catchment area with over 0.3 cubic metre capacity below the seal. The design allows for a very large ground movement, 25 mm (1-inch) vertically and 50 mm (2-inch) horizontally, without affecting valve operation and preventing stress or damage to the riser pipe.

A high level positive seal fitted between the inner and outer sections of the box ensures that any fuel you see in the pit is the total spillage and not simply the residue of a larger spillage.

The position of the seal allows ease of inspection and replacement with no requirement for special tools or hydrant depressurisation.

The lightweight aluminium pit lid is designed to withstand the maximum loads modern aircraft can apply while still being easily removed for operation.

The lid employs a simple locking device to secure it to the box and can be retained using the optional strap for maximum security during pit usage.

Materials

Inner & outer body	Carbon steel
Riser pipe	API 5L grade B standard weight
Seal	Aviation fuel resistant NITRILE

Treatment

Inner surfaces of body	Two coat epoxy enamel
Outer surfaces of body	"Intertuf" epoxy
Riser pipe 6" bore	Copon EA4-2217

Testing

Riser pipe section pressure tested to 28 bar (406psi)

Meggitt Control Systems

Our product competencies & services:
 Aerospace valves | Thermal management solutions | Environmental control systems | Electro-mechanical products
 Ground fuelling products | Energy products | Aftermarket services

MEGGITT
 smart engineering for
 extreme environments

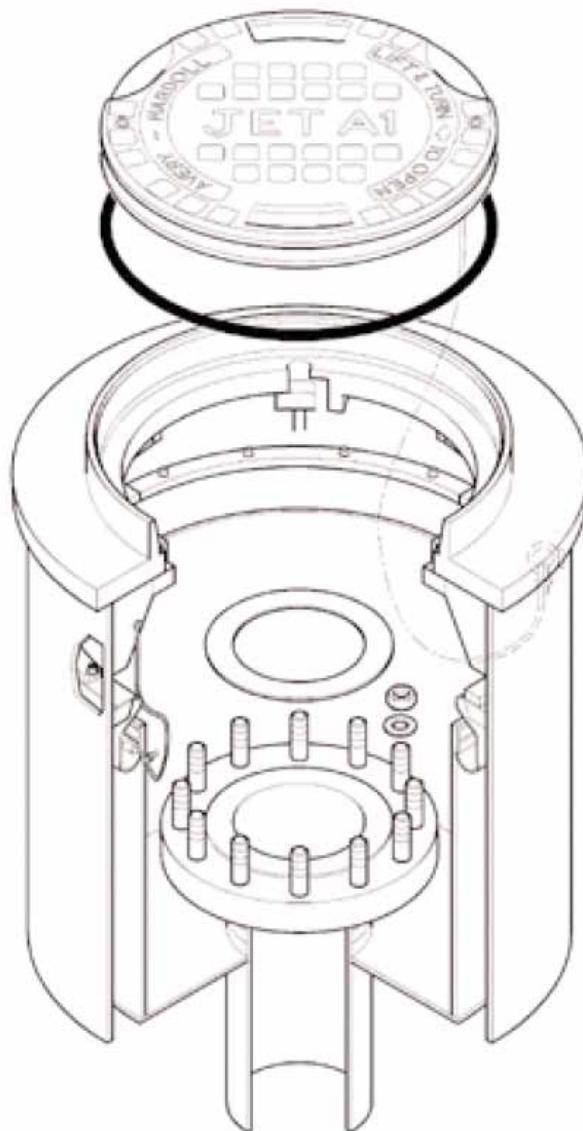
Fuelling products

Control valves

Environmental pit box GMBY 5050M2 series

Specification

Environmental pit box GMBY5050 series



Meggitt Control Systems

Our product competencies & services:
Aerospace valves | Thermal management solutions | Environmental control systems | Electro-mechanical products
Ground fuelling products | Energy products | Aftermarket services

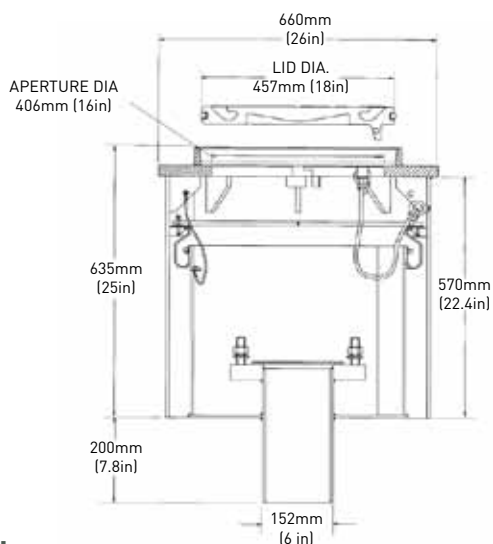
MEGGITT
smart engineering for
extreme environments

Fuelling products

Control valves

Environmental pit box GBMY 5050M2 series

Overall Dimensions



Ordering information

GBMY5050M2

Standard pit box including lid, grounding strap and base flange to 6-inch. ANSI 300 supplied with M20 studs

GBMY5020

As 5000 with weld neck flange

GBMY5009

Installation kit (aligns two halves)

GBMY5000A

As above but flange supplied drilled with 7/8-inch holes

GBMY3000

Blanking flange and gasket

GBMY5006

Extended spanner for use with GBMY5050M2

GBMY3005

Extended spanner for use with GBMY5000A valve using 3/4-inch bolts/studs (not supplied)

Meggitt also offer a full range of pit valves, under hydrant and sampling, vent and drain valves for the above. Refer to data sheets PRO CV 60 and PRO CV 80. Side entry pit boxes are available upon request.

Contact

Meggitt North Hollywood

12838 Saticoy Street
North Hollywood
California 91605-3505
USA

Tel: (818) 765-8160

Fax: (818) 759-2194

www.meggitt.com

Meggitt Control Systems

Our product competencies & services:

Aerospace valves | Thermal management solutions | Environmental control systems | Electro-mechanical products
Ground fuelling products | Energy products | Aftermarket services

MEGGITT
smart engineering for
extreme environments