



# Meggitt Fuelling Products

Avery-Hardoll  
Whittaker Controls

## **3 inch self-sealing industrial couplings**

with

cam operated hose units CMY6353 series  
and tank units CCMY6350, CCMY6351 series

## **Maintenance manual with spare parts list**

Publication ref TP0044

Issue 2 July 2004

Avery-Hardoll  
Holland Way  
Blandford Forum  
Dorset DT11 7BJ  
UK

Tel: +44 (0) 1258 486600  
Fax: +44 (0) 1258 486601

[www.meggittfuelling.com](http://www.meggittfuelling.com)

Whittaker Controls  
12838 Saticoy St  
North Hollywood  
California 91605-3505  
USA

Tel: +1 818 765 8160  
Fax: +1 818 759 2194

[www.wkr.com](http://www.wkr.com)  
[www.meggitt.com](http://www.meggitt.com)

The information contained herein is the property of Avery Hardoll a division of Meggitt (UK) Ltd. No part may be reproduced or used except as authorised by contract or other written permission. The Company reserves the right to alter without notice the specification, design or conditions of supply of any product or service.

**MEGGITT**  
smart engineering for  
extreme environments

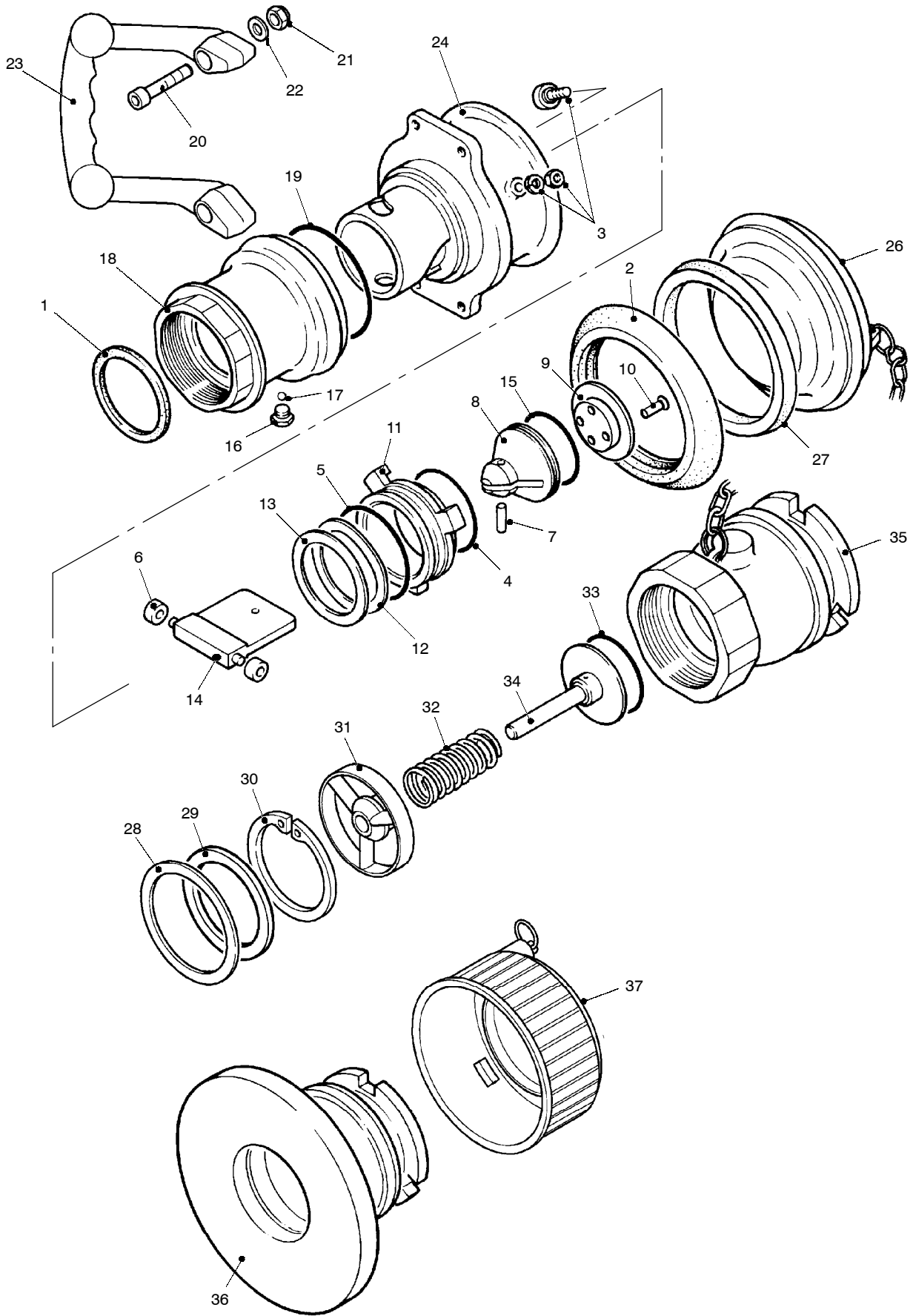


Figure 1 3 in. couplings with standard blanking caps

## Spare parts identification and ordering

- The letters in the following 'Use on' column are the part number suffix letters of the coupling to which the part should be fitted. Always quote the coupling part number in full, as well as the item part number when ordering spares.

<u>Item</u>	<u>Part Number</u>	<u>Description</u>	<u>Use on</u>	<u>Qty</u>
-	-	<b>Hose unit</b>		Ref
1*	FCRZ518-1	. Seal, connector 3 in. - Viton ( <b>Fluorocarbon</b> )	V	1
	FCRZ518	. Seal, connector 3 in. - Nitrile	N	1
2*	CCRZ1585	. Ring, buffer		1
3	CCMS6288	. Bayonet roller assy		3
4*	Z032E234139A	. Seal, O-ring - Viton ( <b>Fluorocarbon</b> )	V	1
	Z022E234139A	. Seal, O-ring - Nitrile	N	1
5*	Z032E235139A	. Seal, O-ring - Viton ( <b>Fluorocarbon</b> )	V	1
	Z022E235139A	. Seal, O-ring - Nitrile	N	1
6	CCCZ6291	. Roller, cam		2
7	ZT4011M0824A	. Pin		1
8	NOT SPARED	. Valve		Ref
9	NOT SPARED	. Valve Cap		Ref
10	ZS3223M04020A	. Screw, countersunk, M4 x 20 lg		4
11	NOT SPARED	. Spanner ring		Ref
12	CCSZ1586	. Spring, wave		1
13	CCCZ6388	. Spacer		1
14	NOT SPARED	. Rod, connecting		Ref
15*	CCRZ1577-1	. Seal, O-ring - Viton ( <b>Fluorocarbon</b> )	V	1
	CCRZ1577	. Seal, O-ring - Nitrile	N	1
16	CCSZ8294	. Plug		1
17	ZACZ0068-7	. Ball, 9/32 in. dia		39
18	NOT SPARED	. Connector, hose - 3 in. BSP		Ref
19*	Z032E239139A	. Seal, O-ring - Viton ( <b>Fluorocarbon</b> )	V	1
	Z022E239139A	. Seal, O-ring - Nitrile	N	1
20	ZS4025M08050A	. Screw, skt cap hd, M8 x 50 lg		4
21	ZMSZ0284-3	. Stiff nut		4
22	ZW4001M08A	. Washer, plain, 8 mm		4
23	CCAC6284	. Handle		2
24	NOT SPARED	. Cam		Ref
25+	CCSZ8297	. Pin, selective ( <b>Selective builds only</b> )		6
26	CCMY4006	Hose unit dust cap		1
27*	CCRZ2162	. Seal - Nitrile	N	1
	CCRZ2162-1	. Seal - Viton ( <b>Fluorocarbon</b> )	V	1
-	-	<b>Tank unit</b>		Ref
28*	FCRZ518-1	. Seal - Viton ( <b>Fluorocarbon</b> ) (BSP unit only)	V	1
	FCRZ518	. Seal - Nitrile (BSP unit only)	N	1
29	CCCZ6376	. Spacer		1
30	ZASZ0058-38	. Circlip		1
31	CCPZ6373	. Valve guide		1
32	CCSZ180	. Spring		1
33*	Z032E232139A	. Seal, O-ring - Viton ( <b>Fluorocarbon</b> )	V	1
	Z022E232139A	. Seal, O-ring - Nitrile	N	1
34	NOT SPARED	. Valve assy		Ref
35	NOT SPARED	. Body, screwed (CCMY6351 series)		Ref
36	NOT SPARED	. Body, flanged (CCMY6350 series)		Ref
37	CCMY4050	Tank unit blanking cap assy		1

\* = Suggested spare part

Ref = Reference only

+ = Item not illustrated

## General

- The 3 inch couplings are supplied with a choice of seal materials and with optional selectivity to suit a particular application or customer requirement. The coupling build standard is indicated by the part number suffix letters:

1st suffix; V or N = seal material

2nd suffix; SA to SW (excepting SI and SO) = selectivity (optional)

## Data:

Working pressure (max) ..... 12 bar (175 psi)

Coupling pressure (max, no-flow conditions) ..... 4 bar (60 psi)

Static test pressure ..... 18 bar (265 psi)

## Operating temperature range:

Fluorocarbon (Viton) seals (Part No. suffix V) ..... -20 to +120 deg C (-4 to +248 deg F)

Nitrile (Part No. suffix N) ..... -30 to +120 deg C (-22 to +248 deg F)

**WARNING: DO NOT HANDLE O-RING SEALS IF THEIR MATERIAL APPEARS CHARRED, GUMMY OR STICKY. USE TWEEZERS AND WEAR NEOPRENE OR PVC GLOVES. DO NOT TOUCH ADJACENT PARTS WITH UNPROTECTED HANDS. NEUTRALIZE ADJACENT PARTS WITH A SOLUTION OF CALCIUM HYDROXIDE. IF THE DEGRADED MATERIAL OR ADJACENT PARTS TOUCH THE SKIN, DO NOT WASH OFF WITH WATER, SEEK IMMEDIATE MEDICAL AID FOR POSSIBLE CONTAMINATION WITH HYDROFLUORIC ACID. HYDROFLUORIC ACID IN CONTACT WITH SKIN HAS DELAYED SYMPTOMS OF CONTAMINATION. IT IS EXTREMELY TOXIC.**

## User Instructions

- Cleanliness is essential for trouble-free operation of the couplings. Always ensure that blanking caps are installed when units are disconnected.
- Periodically examine couplings for contamination, evidence of leakage and damage. Clean couplings, as necessary, with lint-free cloth or a soft bristle brush moistened with a suitable cleaning agent; pay particular attention to hose unit and tank unit seal recesses.

## Repair

- Repair of couplings is by replacement of faulty seals and worn or damaged components. Repair procedures are straightforward and no special tools are required. Refer to exploded views and the following outline procedures for guidance.

## Dismantling notes

- *Hose units:* Separate hose connector (16) from cam (22) by removing plug (14) and rotating hose connector to release bearings (15); collect cam rollers (6). Remove cap nuts and spring washers and the three bayonet rollers (3) from the cam. Remove spanner ring (9) and valve components from the cam. Remove pin (7) to separate valve (8) from connecting rod (12).
- *Tank units:* The valve in the tank unit is spring loaded and care must be taken to avoid injury when removing the valve guide. Hold the valve guide (29) in place and carefully remove the circlip (28). Allow the spring to expand slowly, and remove the valve guide, spring (30) and valve assembly (32).

## Cleaning and Inspection

- Clean all metal components using lint-free cloth moistened with a suitable non-toxic cleaning fluid. Ensure that residues of seal material are removed from O-ring seal grooves and from all sealing faces; use fine grade wire wool, if necessary.
- Examine all parts for damage, evidence of wear and condition of surface protection (Fluoron coated components). Discard unserviceable components together with all used seals and pins; refer to spares list for replacement parts.

## Assembling

- Assemble units in the reverse order of dismantling and note the following:
- Exercise care when installing O-ring seals in 'dovetail' grooves; use a suitable lubricant if necessary, and wipe off any excess after assembly.
- When installing the spanner ring in the hose unit, ensure that the stops are positioned under the bayonet roller locations.
- Ensure that the handles are correctly orientated on the hose unit.
- The Nyloc nut securing the seal support plate in the tank unit blanking cap must be slackened approximately one turn to allow the seal plate to rotate in the cap.

## Testing

- Couple the repair unit to a serviceable hose or tank unit as appropriate and check for correct operation of valve actuating and bayonet locking mechanism. Couple and uncouple unit(s) several times.